

# MAXair Series Ceiling Fan

## INSTALLATION GUIDE



**Installation of this Iconic Ceiling Fan must be carried out by a licensed electrician.**

Upon completion of installation, electricians should fill out their details on the back cover of this manual.



## TABLE OF CONTENTS

Important Safety Information.....	4
Product Parts List - MAXair Metal & MAXair 316.....	6
Product Parts List - MAXair Timber.....	7
Product Parts List - MAXair Moulded.....	8
Installation - Mounting Bracket.....	9
Installation - Blade Holder Assembly.....	9
Installation - Accessory Extension Down Rod.....	10
Installation - Blade Assembly.....	11
Installation - Ceiling Fan Hanging.....	11
Installation - Ceiling Fan Testing.....	12
Installation - Accessory Light Kit (Twin E27).....	13
Installation - Wiring Instructions.....	14
Installation - Trouble Shooting Tips.....	15
Care and Cleaning.....	17
General Information.....	17
Product Warranty.....	18
List of Distributors.....	20

## IMPORTANT SAFETY INFORMATION

Thank you for choosing an Iconic Ceiling Fan. We are confident that your new ceiling fan will provide many years of service and enjoyment.

## GENERAL PRECAUTIONS

It is important that you read and follow these instructions carefully, and be mindful of all warnings shown throughout this manual. Please retain these instructions for future reference.

**This ceiling fan must be installed by a licensed and qualified electrician in accordance with SAA Standards and all local authority regulations.**

Only Iconic Fan Company approved wall or remote controls should be used for the operation of this fan. The use of unauthorised wall or remote controls will void the manufacturer's warranty.

## SAFETY PRECAUTIONS

Be cautious! Read all instructions and safety information, and review the accompanying assembly diagrams before installing your new fan.

To reduce the risk of electric shock, do not install this fan in a location where it may be exposed to rain, moisture or liquid of any kind.

**A double pole isolation switch providing full disconnection of power to both the fan and the light must be fitted in accordance with the requisite wiring rules (AS/NZ 60335.1 c1.7.12.2).**

Do not attempt to operate the fan if it has or appears to have been damaged in any way, or if it malfunctions after installation.

Do not use this fan for any purpose other than its intended use, as described in these instructions.

Avoid contact with moving fan blades and ensure that hair, clothing and other articles are kept well clear of the fan. Contact with moving ceiling fan blades may cause serious injury.

This appliance is not intended for use by persons (including children) with reduced physical, sensory or mental capabilities or by persons who lack the experience and knowledge to safely operate the fan, unless they are under the supervision of, or have been given instruction concerning the safe use of the appliance by a person responsible for their safety and wellbeing.

Close supervision is necessary when the product is used by children. Do not allow children to use it as a toy.

## IMPORTANT SAFETY INFORMATION

### LOCATION AND INSTALLATION REQUIREMENTS

#### MECHANICAL ISSUES

To provide adequate clearance from the floor the lowest point on the fan blade must be at least 2.1m from the floor.

Make sure that the chosen location will not allow the rotating fan blades to come into contact with any object.

The mounting bracket must be firmly screwed to a load bearing structure, e.g. a concrete ceiling, steel structure or timber frame. If a timber frame is added, it must be securely nailed or screwed between two beams.

Ensure ceiling joists are sound and of adequate size and strength to support a 40Kg load.

To reduce the risk of fire, electrical shock or personal injury, ensure that the fan mounting bracket is supported directly from the building structure. **DO NOT** mount to an outlet box.

Do not remove the fan from the ceiling after installation.

After the fan is completely installed, check to make sure that all connections are secure to prevent the fan from falling and/or causing damage or injury.

To reduce the risk of personal injury, do not bend or damage the Down Rod or Fan Blades when handling or installing them.

#### ELECTRICAL ISSUES

To avoid possible electric shock during installation, be sure that the electricity supply is turned off at the main power box before commencing work. Disconnect the power by removing the fuse or turning off the circuit breaker before installing the fan.

The fan and mounting bracket must be earthed. Ensure all spliced connections are adequately insulated.

**Do not attempt to control the operation of this fan from any wall or remote control that is not approved by The Iconic Fan Company for use with this fan. DO NOT use a solid state wall controller. The use of an unapproved wall or remote control will void the manufacturer's warranty.**

This fan can be used in conjunction with some home automation systems. For further information please contact the distributor.

#### NOTE

Nothing in this manual is intended to instruct or assist untrained or unqualified persons to install this product. Additionally, it is the responsibility of the installer and user to apply common sense and care at all times.

**PRODUCT PARTS LIST - MAXair Metal & MAXair 316**

**PARTS & QUANTITY**

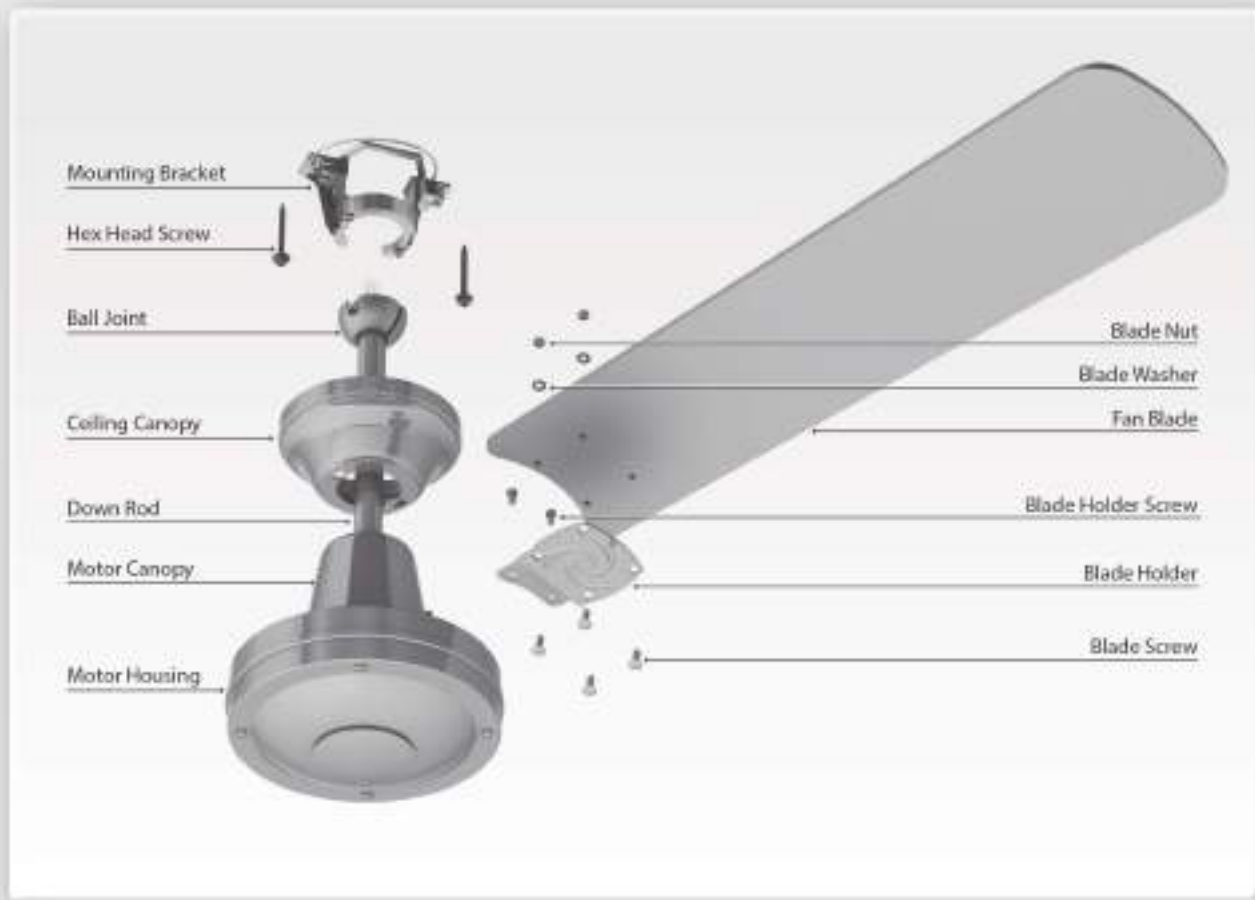
- MOTOR HOUSING ASSEMBLY x 1
- MOUNTING BRACKET x 1
- HEX HEAD SCREW x 2
- WALL CONTROLLER & WALL CAPACITOR x 1
- FAN BLADE x 4
- BLADE HOLDER SCREW x 8
- BALANCING KIT x 1



**PRODUCT PARTS LIST - MAXair Timber**

**PARTS & QUANTITY**

- MOTOR HOUSING ASSEMBLY x 1
- MOUNTING BRACKET x 1
- HEX HEAD SCREW x 2
- WALL CONTROLLER & WALL CAPACITOR x 1
- FAN BLADE x 4
- BLADE HOLDER x 4
- BLADE SCREW x 16
- BLADE NUT x 16
- BLADE WASHER x 16
- BLADE HOLDER SCREW x 8



## PRODUCT PARTS LIST - MAXair Moulded

### PARTS & QUANTITY

- MOTOR HOUSING ASSEMBLY x 1
- MOUNTING BRACKET x 1
- HEX HEAD SCREW x 2
- WALL CONTROLLER & WALL CAPACITOR x 1
- FAN BLADE x 4
- BLADE HOLDER x 4
- BLADE SCREW x 12
- BLADE NUT x 12
- BLADE WASHER x 12
- BLADE HOLDER SCREW x 8

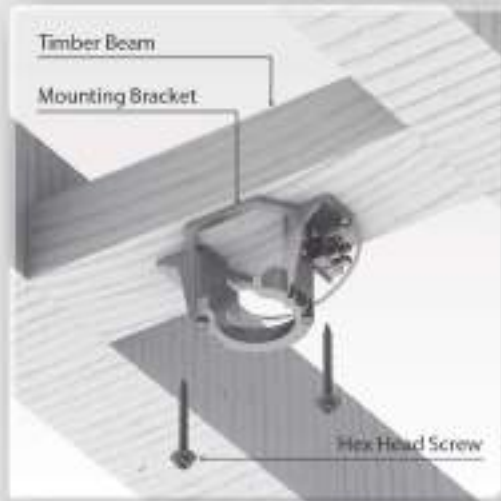




## INSTALLATION

- !** Before commencing installation, turn off the electricity supply at the main power box. Disconnect power by removing the fuse or turning off the circuit breaker before commencing work.

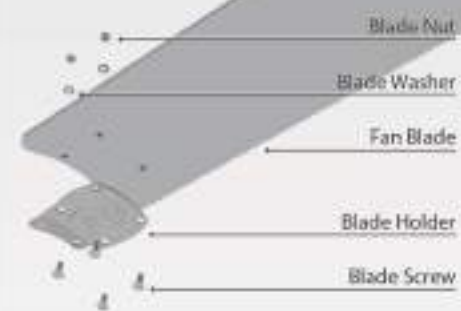
### MOUNTING BRACKET (All Models)



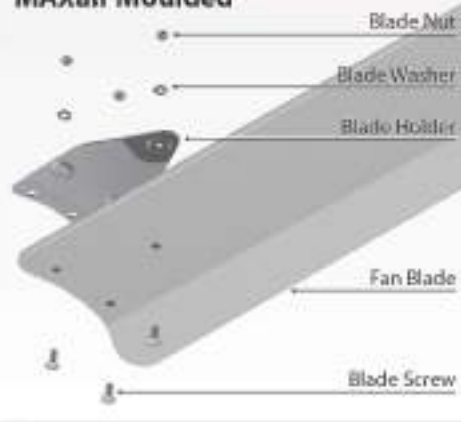
1. Drill a hole in the timber beam or support for the mains supply wiring.
2. Secure the Mounting Bracket to the timber beam or support using the 2 Hex Head screws provided.
3. If no timber beam or support exists, this must be installed prior to commencing this step. The beam or support must be of adequate strength to support a 40Kg load.
4. For mounting to a concrete ceiling use 2 Expansion Plug screws (not included) in place of the Hex Head Screws.

### BLADE HOLDER ASSEMBLY (MAXair Timber, MAXair Moulded)

#### MAXair Timber



#### MAXair Moulded



**Note: Skip this step if your fan has Metal Blades.**

1. Attach the Blade Holders to the Fan Blades using the Blade Screws, Blade Nuts and Blade Washers provided.
2. For MAXair Timber Blades, 4 screws are required per Fan Blade.
3. For MAXair Moulded Blades, 3 screws are required per Fan Blade.
4. Tighten the Blade Screws and Blade Nuts using a screwdriver and small spanner. DO NOT use power tools. Ensure that screws are fully tightened, but do not over tighten.

## INSTALLATION

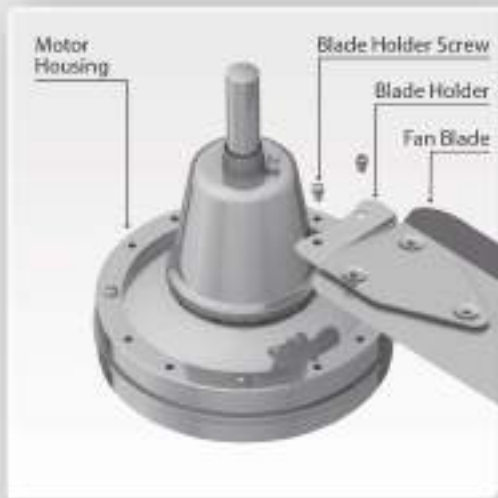
### ACCESSORY EXTENSION DOWN ROD (All Models)

1. To remove the standard length Down Rod, loosen the Ball Joint Screw, remove the Ball Joint Pin, and slide the Ball Joint off the Down Rod.
2. Remove the Ceiling Canopy from the Down Rod. Take care not to scratch the surface of the Down Rod.
3. Loosen the Motor Canopy Screw, and remove the Motor Canopy from the Down Rod. Take care not to scratch the surface of the Down Rod.
4. Loosen the Down Rod Screw, then remove the Cotter Pin, Washer and Locking Pin, then remove the Down Rod by sliding it off the Fan Wires.
5. If installing an Extension Down Rod exceeding 91cm in length, extend the Fan Wires by joining additional wiring to the Fan Wires using crimping connectors. Ensure all connections are adequately insulated.
6. If required, cut the Extension Down Rod to length to suit the installation.
7. Drill a 7mm diameter hole 10mm from the cut end of the Extension Down Rod for the Ball Joint Pin.
8. Position the Extension Down Rod so that cut end is away from the Motor Housing, and thread the Fan Wires through the Down Rod. The wires should extend at least 75mm from the cut end of the rod.
9. Locate the Extension Down Rod on the Motor Housing, reinstall the Lock Pin and Washer and secure the Lock Pin with the Cotter Pin. Then replace and tighten Down Rod Securing Screw.
10. Replace the Motor Canopy on the Down Rod, taking care not to scratch the surface of the Down Rod, and then tighten the Motor Canopy Securing Screw.
11. Replace the Ceiling Canopy on the Down Rod, taking care not to scratch the surface of the Down Rod.
12. Replace the Ball Joint on the Down Rod, then replace the Ball Joint Pin and tighten the Ball Joint Screw. Ensure that all screws are fully tightened, but do not over tighten.



## INSTALLATION

### BLADE ASSEMBLY (All Models)



1. Attach the Blade Holders / Fan Blades to the Motor Housing using the Blade Holder Screws provided (2 per Blade Holder).
2. Ensure that all screws are fully tightened, but do not over tighten. DO NOT use power tools.

**Note: Do not mix Fan Blades from different fans as Fan Blades are factory balanced to form a set.**

### CEILING FAN HANGING (All Models)

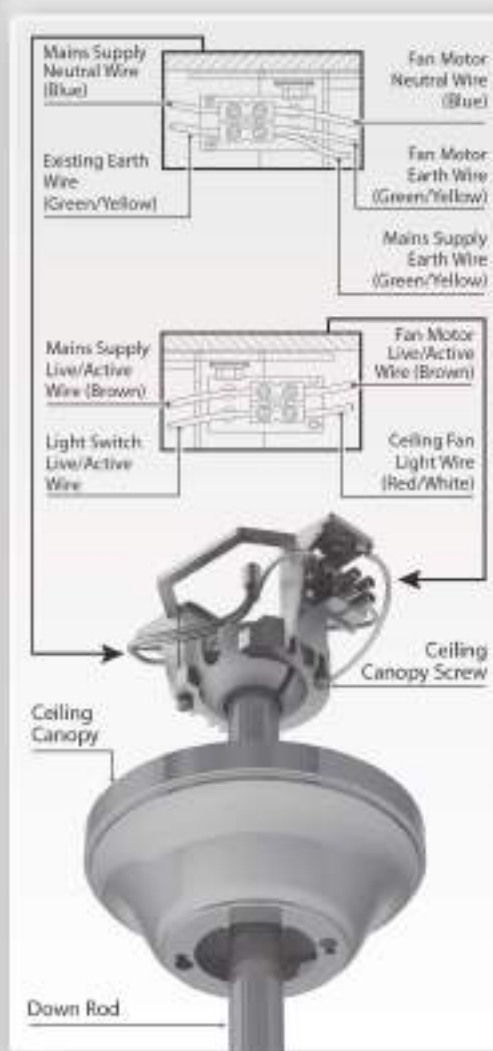


1. Check the Ball Joint Screw is tight.
2. Hang the Ball Joint in the Mounting Bracket . Ensure that the Lug on the Mounting Bracket is engaged in the groove in the Ball Joint, and that the Ball Joint is correctly seated in the Mounting Bracket.

## INSTALLATION

3. Connect the Fan Wires and Mains Supply Wiring via the Terminal Blocks on the Mounting Bracket. Refer to the Wiring Diagrams on Page 14.
4. Ensure the Earth Wires are connected.
5. Connect the Light Wire to the Terminal Block if a Light Fitting is to be installed.
6. Terminate the Light Wire if no Light Fitting is to be installed. Ensure the termination is adequately insulated.
7. Loosen the 2 Ceiling Canopy Securing Screws in the Mounting Bracket.
8. Slide the Ceiling Canopy up the Down Rod until it is positioned over the Mounting Bracket, taking care not to scratch the surface of the Down Rod.
9. Align the bayonet slots in the Ceiling Canopy with the screws in the Mounting Bracket and install using a clockwise locking action.
10. Tighten the Ceiling Canopy Screws, checking to ensure Ceiling Canopy does not make contact with the ceiling. Add packing washers to provide clearance if necessary.

**Note: Please refer to the Remote Control instructions for installation information if required.**



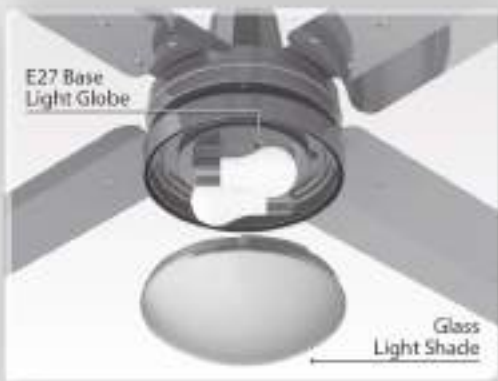
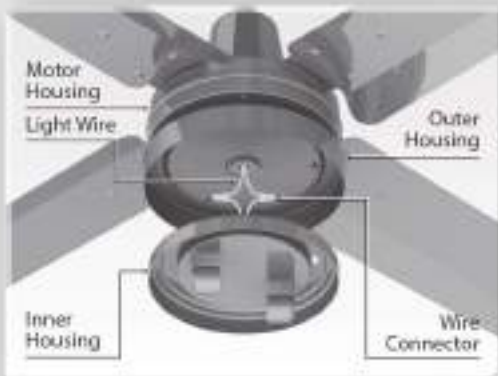
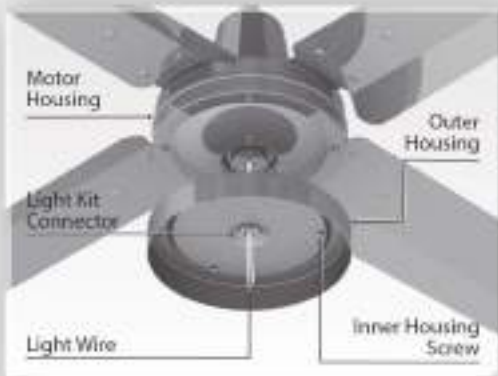
## CEILING FAN TESTING (All Models)

1. Turn on the electricity supply at the main power box.
2. Check that the Summer/Winter mode switch is fully located in either the Summer or Winter mode position.
3. Test the fan at all 3 speeds by using either the Wall Controller (provided) or Remote Control (accessory). The fan should rotate anticlockwise in Summer mode, and clockwise in Winter mode. Never install any kind of solid state controls as this will void the warranty.



## INSTALLATION

### ACCESSORY LIGHT KIT (Twin E27)



**⚠ Before commencing installation, turn off the electricity supply at the main power box. Disconnect power by removing the fuse or turning off the circuit breaker before commencing work.**

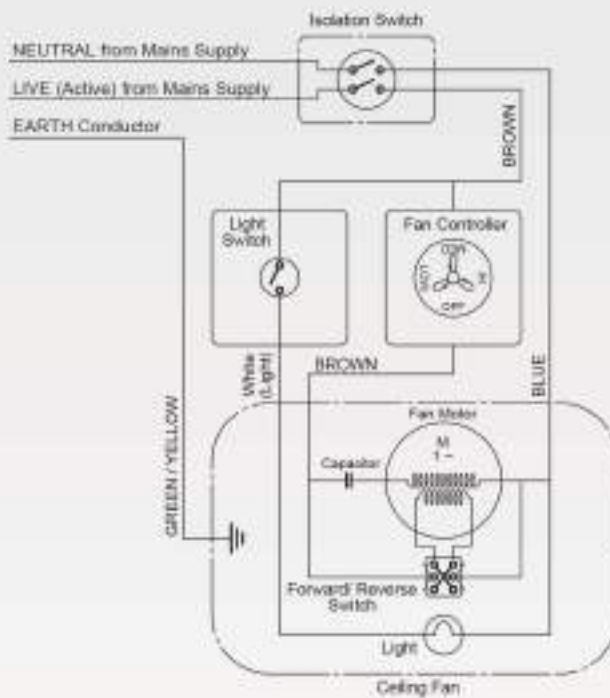
1. Unscrew and remove the Motor Base Cap.
2. Using a pair of pliers, very gently pull the the Light Wires from the Motor Housing.
3. Loosen or remove the Inner Housing Screws and remove the Inner Housing from the Outer Housing.
4. Pass the Light Wires through the threaded Light Kit Connector.
5. Screw the Outer Housing onto the Motor Housing by rotating until the Light Kit Connector is tight, taking care not to over tighten.
6. Connect the Light Wires from the Motor Housing to the wires on the Inner Housing using the Wire Connectors provided. Ensure all connections are adequately insulated.
7. Replace the Inner Housing and tighten the Inner Housing Securing Screws. Ensure that all screws are fully tightened, but do not over tighten.
8. Install two E27 base Light Globes (max 40W, not supplied).
9. Attach the Glass Light Shade by gently turning it clockwise to lock into position. Take extra care not to overtighten the Glass Light Shade.

## INSTALLATION - WIRING INSTRUCTIONS

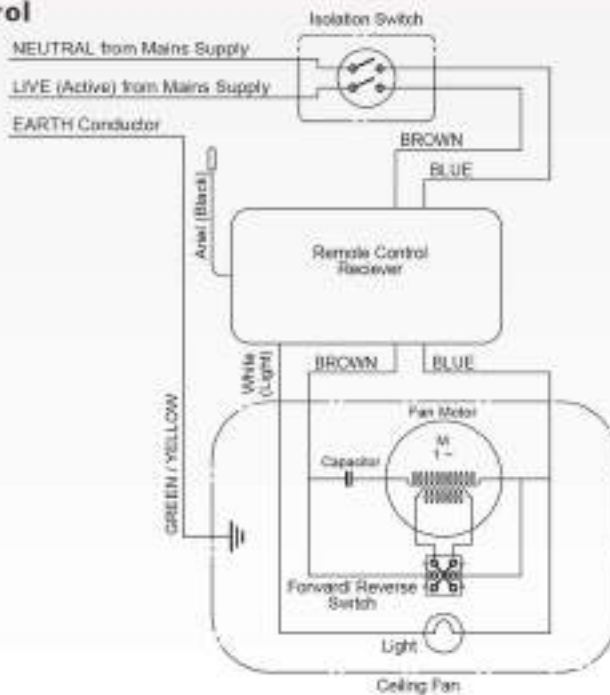
**!** Before commencing installation, turn off the electricity supply at the main power box. Disconnect power by removing the fuse or turning off the circuit breaker before commencing work.

### WIRING DIAGRAMS

#### Wall Control



#### Remote Control



To comply with AS/NZS 60335.1 a Double Pole Isolation switch must be fitted in series with the supply of this product.

## INSTALLATION - TROUBLE SHOOTING TIPS

### THE FAN DOES NOT OPERATE

1. Check that the Summer/Winter mode switch is fully located in either the Summer or Winter mode position.

**Warning:** The following 3 items require access to areas of the fan which carry lethal voltage. These checks must only be carried out by a licensed and qualified electrician.

2. Check the wire connections at the wall controller and terminal blocks, ensure all electrical connections are good, and that unused wires are correctly terminated.
3. Check that the nine pin plug under the Motor Canopy is properly connected and that the socket and plug orientations correspond.
4. Check that the reversing switch plate (located under the Motor Canopy) is not bent and that the 3 wires coming from the switch plate are not bent. Occasionally the switch plate may become bent during transport, causing the Motor Canopy to press against the switch plate, stopping the fan from working.

### THE FAN SPEED DOES NOT CORRESPOND WITH WALL CONTROLLER MARKINGS

**Warning:** The following item requires access to areas of the fan which carry lethal voltage. This check must only be carried out by a licensed and qualified electrician.

1. Check that the wall controller is wired correctly and that all connections are sound. The connections on the back of the wall controller should be as follows:

Brown..... 1

Purple..... 2

Red..... 3

### THE FAN WOBBLER WHEN ROTATING

1. Ensure that the Ball Joint Screw is tightened, the lug on the Mounting Bracket is engaged in the groove in the Ball Joint, and that the Ball Joint is correctly seated in the bracket.
2. Check the Blade Holder Screws and Blade Screws are tightened firmly.
3. Make sure the Fan Blades are a matching set. Matching sets of Fan Blades vary in weight by no more than 3 grams. All Fan Blades have a weight label on the top surface.
4. If necessary, use the Balancing Kit provided to reduce the wobble.

## INSTALLATION - TROUBLE SHOOTING TIPS

### THE REMOTE CONTROL DOES NOT FUNCTION

1. Check that the Remote Control Handset battery is providing power.
2. Check that the dip switch settings on the Remote Control Handset and on the Remote Control Receiver correspond. (See Remote Control instructions.)
3. If a remote control other than the one provided by the Inonic Fan Company has been installed, it should be replaced with an approved remote control or the warranty will be void.

### THE FAN MAKES A NOISE

1. Check that all screws and fasteners are tight, and that all parts are firmly secured.



**Warning: The following 2 items require access to areas of the fan which carry lethal voltage. These checks must only be carried out by a licensed and qualified electrician.**

2. Ensure there are no loose parts inside the Motor Canopy.
3. If a wall controller other than the one provided with the fan has been installed, it should be replaced with an approved wall controller. Use of an unapproved wall controller may cause noise from and/or damage to the motor, and will void the warranty.

**Note: In some areas, signals are sent through the power lines by the electricity supplier for the control of off peak hot water, street lights and so on. These signals may cause an intermittent humming in the fan. Filters are available in Australia at customer cost. It is not a fault with the ceiling fan.**



## PRODUCT INFORMATION

### CARE AND CLEANING

Regular cleaning of fan blades is recommended to prevent dust build up.

When cleaning your fan, use only a soft brush or slightly damp lint free cloth to avoid scratching the finish. DO NOT use water when cleaning your ceiling fan as it could damage the motor or the blades and/or create the possibility of electric shock.

### GENERAL INFORMATION

1. All electrical motors, including fan motors make some noise, and may feel hot to the touch. This is NOT a fault.
2. Ceiling fans tend to move during operation due to the fact that they are not rigidly mounted. (Rigid mountings can generate excessive vibration and stress on the mountings). Movement of a couple of centimetres is not unusual and does not suggest that the fan will fall down.
3. Ceiling fans are an environmentally sensitive choice to help keep you cool in your home. They work by creating air flow which causes a cooling sensation on the skin. The faster the speed of the air flow, the greater the cooling sensation. Ceiling fans do not work by cooling the room, so they can be switched off when there is no one in the room in order to save energy.
4. Threaded components working slightly loose or parts slightly damaged or bent during vigorous cleaning or bumping can cause extra wobble and noise. This is not covered under warranty, but care during maintenance and cleaning generally prevent this from occurring.
5. During winter, your fan can be used on low speed in reverse (Winter mode). Warm air rises to the ceiling, where it cannot be felt by the occupants of a room, especially in areas with high ceilings. Running the fan slowly in reverse moves air gently upwards, forcing warm air down the walls of the room where it mixes with the cooler air below. This may help to reduce heating costs. We recommend that you keep the fan at a low speed, so that the effects of evaporative cooling are minimised.

## **ICONIC FAN COMPANY WARRANTY**

The warranty on your Iconic Fan Company product purchased in Australia is provided by the authorised product distributor (the distributor) in the state or territory where the product was purchased. For contact information, please refer to page 20.

To obtain the best performance from a ceiling fan, it is crucial that the correct size of fan is properly installed in the optimum location. We cannot arrange for, or cover the cost of, an on-site visit by service personnel in relation to the airflow or other performance of your product except in cases where, following over the telephone trouble-shooting, the distributor has determined that such issues may be a direct result of a manufacturing defect (material or workmanship). Fans that do not perform as expected or desired and which are not faulty will not be replaced or exchanged under warranty.

All ceiling fans and associated products should be installed by a licensed electrician. Installing electricians who are experiencing problems with installation or who cannot get the product to operate correctly once installed should read the 'Trouble-Shooting Section' of the installation guide or contact the distributor.

The benefits provided to you by this warranty are in addition to other rights and remedies available to you under the law.

### **Warranty periods**

The warranty on your Iconic Fan Company product purchased in Australia begins from the day of purchase.

### **Ceiling fans**

The ceiling fan itself, excluding accessories such as the Remote Control Transmitter and Receiver, Accessory Light Kit & Wall Control, is covered by a three (3) year on-site warranty. During this period, the distributor will, at its discretion, repair or replace products considered to be defective due to a manufacturing defect (material or workmanship).

### **Accessory**

Iconic Fan Company Remote Control Receiver and Transmitters (Handsets), Accessory Light Kits (integrated or externally mounted) and Wall Controls are covered by a 1 year on-site warranty under the same conditions as described for fans. No further warranty is offered on these items after the 1 year period.

### **Repaired or replaced products**

Any replaced or repaired product is covered only by the balance of the warranty remaining on the original article.

### **Transfer of warranty**

If the premises where the fan or remote control is installed changes hands, the balance of the warranty passes to the new owner, provided that the original bill of sale for the product is retained by the new owner.

### **Terms and conditions**

The warranty on your Iconic Fan Company product purchased in Australia is provided on the following terms and conditions;

## PRODUCT WARRANTY

- You should consult the distributor by telephone or email prior to making any arrangements to service or remove the product. Reimbursements for labour or product delivery costs will not be met without prior approval from the distributor.
- Labour costs (to a maximum of \$100 inc. GST) and product delivery costs relating directly to a warranty claim will be met by the distributor during this period, however it is the responsibility of the owner to arrange for a licensed electrician to complete any necessary labour.
- The cost of obtaining or using any required special access equipment (scissor lifts, scaffolding, long ladders, etc.) to install or remove the ceiling fan is specifically excluded, and it is the responsibility of the owner to provide such equipment and have it safely installed and operated.
- The warranty for the fan does not cover damage to the fan if it is moved from one dwelling to another during the warranty period. The warranty is voided in total if the product is sold as second hand goods.
- Iconic Fan Company Ceiling Fans not purchased and installed in Australia are not eligible for warranty repair.
- Fans not installed by a licensed electrician are not eligible for warranty repair.
- Batteries for remote controls and globes, if supplied, are complimentary only and are not covered by the warranty.
- Any damage incurred to the product after delivery to the owner, that is not caused by a fault in the products' materials or workmanship; damage from lightning or power surges; damage to the fan due to incorrect installation; damage to the premises due to incorrect installation; noise or other influence of ripple control or information access systems operation over power delivery infrastructure; water damage of any kind; installation or use outdoors; damage arising from connection to or use with alternative power systems (e.g. inverters, solar, etc.) are not eligible for warranty repair.
- Ceiling fans used incorrectly, accidentally damaged, modified in any way or not serviced in accordance with the maintenance instructions are not eligible for warranty repair.
- Subject to any statutory provisions to the contrary, any claims for damage to furniture, carpet, walls, ceilings, foundations or any other consequential loss either directly or indirectly resulting from a faulty ceiling fan will not be met under this warranty.
- The distributor reserves the right to charge a service call fee where; there is nothing wrong with the ceiling fan or; the defective operation of the ceiling fan is due to failure of electricity or; the installation is not in accordance with Iconic Fan Company instructions and/or applicable local regulations or; the defects have been cause by incorrect application or abuse of the ceiling fan or the damage has been caused by unauthorised persons attempting to repair the fan.

### **Australian Consumer Law**

In addition to your rights under the Iconic Fan Company, our goods come with guarantees that cannot be excluded under the Australian Consumer Law. You are entitled to a replacement or refund for a major failure and for compensation for any other reasonably foreseeable loss or damage. You are also entitled to have the good repaired or replaced if the goods fail to be of acceptable quality and the failure does not amount to a major failure.

## Iconic Fan Company Pty Ltd Authorised Distributors:

**NEW SOUTH WALES, VICTORIA, SOUTH AUSTRALIA & TASMANIA**

**EID Fans Pty Ltd**

Tel: 02 6025 2877

**WESTERN AUSTRALIA**

**Lightrays**

Tel: 08 9456 4697

### Warranty Claim Details

Upon installation, please fill in and retain the following details for warranty claim purposes:

Model Name: .....

Place of Purchase: .....

Date of Purchase: .....

Receipt Number: .....

(A copy of your receipt for Proof of Purchase will be required)

Installing Electricians Name: .....

.....

Installing Electrician's License No: .....

Installing Electrician's Phone No: .....

The Iconic Fan Company has a commitment to continuous product improvement. We reserve the right to change product specifications without notice, and, in some cases illustrations in this manual may not exactly match the actual product.

All rights reserved. No part of this publication may be reproduced in any form or by any means without the prior written permission of The Iconic Fan Company Pty Ltd. Copyright © 2014 The Iconic Fan Company Pty Ltd.